



solution

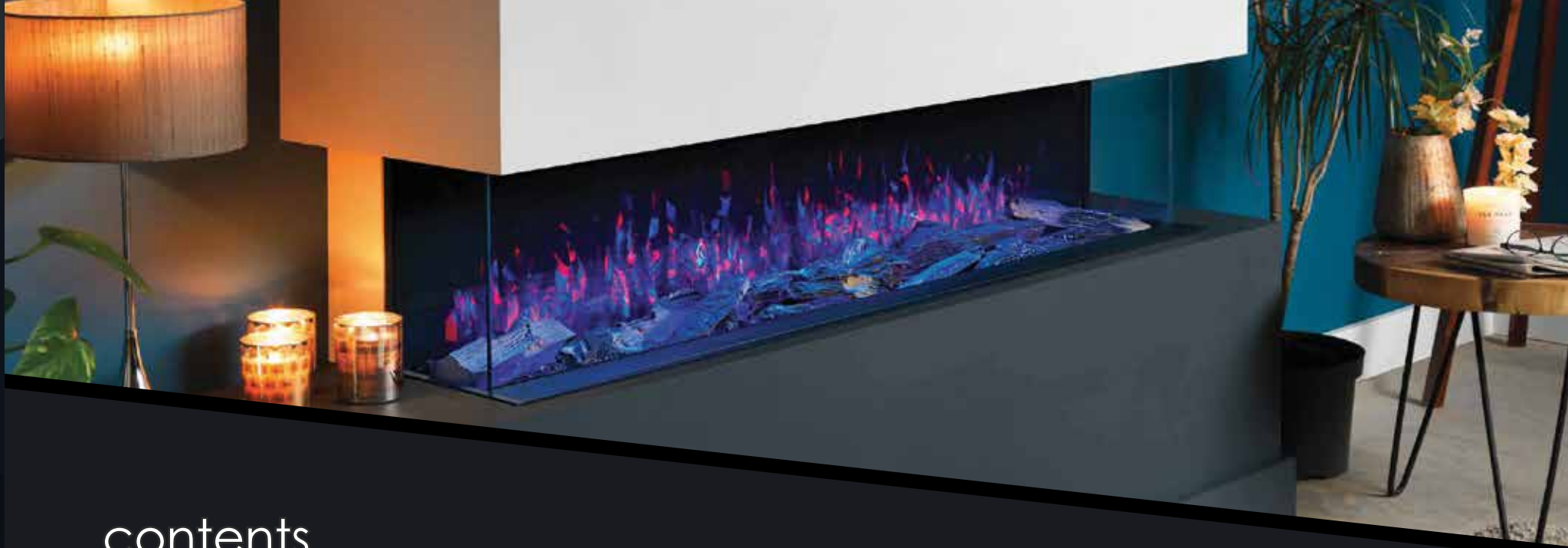
LUXURY ELECTRIC FIRES



welcome to solution fires

Welcome to **solution fires**, a new generation of highly efficient, authentic and stylish electric fires. The focus of your living space, these fires have been designed and manufactured with optimal controllability of heat, light and sound as the critical elements. Controllable from your handset, via Alexa or through the app on your smart phone or watch, you can customise your fireplace to suit your individual taste. No electric fire, currently on the market, has the level of product features or attention to detail that solution fires have as standard, supported by a high level of genuine customer service. For more information about our products, please visit our website www.solutionfires.co.uk.





contents

- SLE 100** Pages 12-13
- SLE 150** Pages 14-15
- SLE 200** Pages 16-17
- SLE 75** Pages 18-19

These ultra realistic flame effect fires can be fitted as corner, front facing or panoramic appliances. They feature **itronic** effect technology and come with high quality, hand crafted ceramic log effect fuel beds as standard.

- SLE 125t** Pages 20-21

This sleek and stylish double sided tunnel fire features our **etronic 3D** flame effect.

- SLE 42S** Pages 22-23

Luxury cylindrical electric stove with **etronic 3D** flame effect.

- SLE 40i** Pages 24-31

Inset **etronic 3D** fire with a choice of fireframes, trims and frets.

- Suites** Pages 32-51

Contemporary modular suites designed to complement the SLE75 & SLE100 fires.
Brandon Page 38, *Brandon with base* Page 40, *Havana* Page 42, *Havana with base* Page 43,
Brandon with chimney breast Page 44, *Brandon with chimney breast and base* Page 45,
Arcadia Page 46, *Arcadia with base* Page 47

20 reasons to choose a solution luxury fire

1. Ultra realistic, contoured flame effect technology

2. 'One box solution' for front, corner or panoramic views

3. Six preset illumination settings & one custom setting

4. Nine independent flame colours with adjustable brightness*

5. Nine independent fuel bed colours with adjustable brightness*

6. Nine independent downlight colours with pulse effect*

7. High quality, hand decorated ceramic log fuel bed

8. Crackling fire audio with volume control

9. Customisable fuel bed set-up

10. Fade in - ON, Fade out - OFF, flame effect feature

11. Supplied with infrared remote control as standard

12. App control for most smart phones, tablets & watches

13. Alexa voice control

14. Optional Scene lighting LED kit available

15. Optional Anti Reflective Glass available

16. Thermostatically controlled with ultra quiet fan heater

17. Seven day, twice daily, program settings

18. Fully ErP Compliant & low energy LED flame effect

19. Plugs into a standard 13 amp 3 pin socket

20. Optional 5 year warranty for added peace of mind

The above applies to the SLE75, 100, 150 & 200 fires

*With use of Solution App



standard control

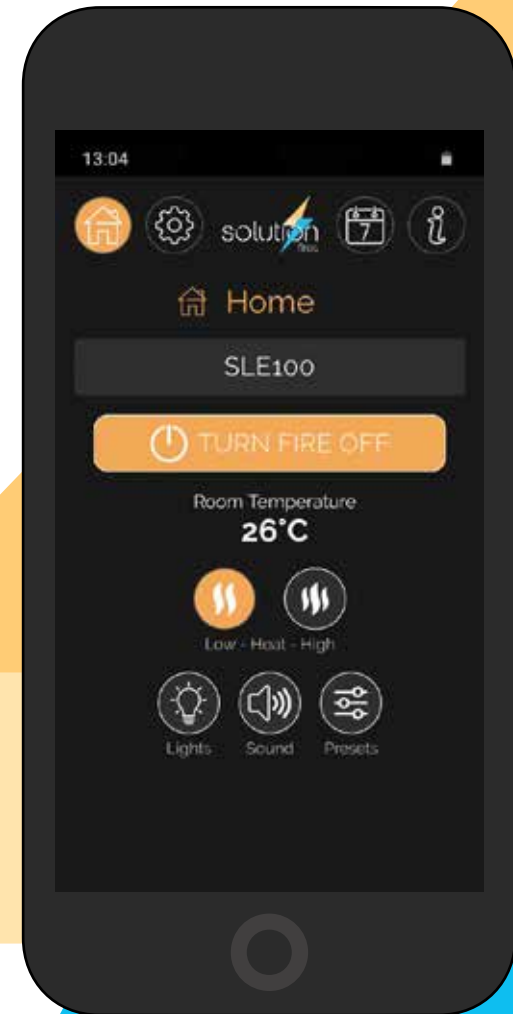
All solution fires are supplied with a **LCD Remote Handset**. This handset allows you to turn the fire on and off, control the required temperature and set a 7 day programmer. Other features such as flame and fuel bed brightness, volume control and flame presets are available dependent on the model.



the solution app

By downloading the app on Android and IOS smart phones and tablets you will be able to;

-
- alter the colour of the downlights
-
- alter the brightness & colour of the fuel bed & flames
-
- alter the brightness & colour of the optional scene lighting
-
- control the fire even if you're away from home
-
- control your fire via smart watches & Alexa
-



Note: Solution App is only available for the SLE75, SLE100, SLE150 and SLE200 fires.

setting the ambient mood

The visually stunning LED **itronic** technology not only provides one of the most realistic flame effects on the market but also gives you, the owner, incredible versatility. You can utilise the six preset options as illustrated below and by downloading the solution app you can further customise the fire to suit your individual taste.



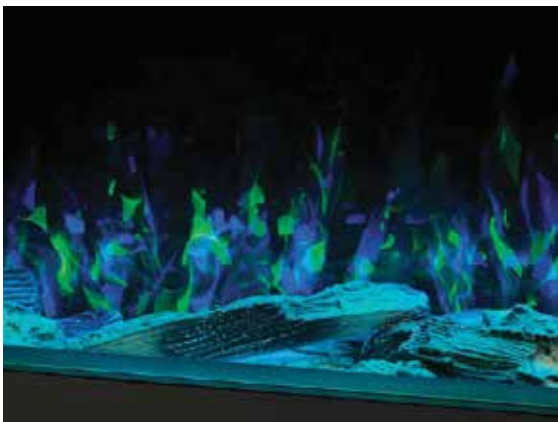
BLAZE



LUNAR



DAWN



AQUA



SOLAR



MAGMA



UPGRADE YOUR FIRE WITH
ANTI REFLECTIVE GLASS
FOR CRYSTAL CLEAR CLARITY

standard glass

scene lighting

We have introduced our popular scene lighting feature to the solution fires range. Powered directly from the fire and independently controlled via the solution app - its an easy and efficient way to add another visual dimension to your suite. The rear of the colour-changing LED strip includes pre-applied double-sided adhesion. Simply peel off the liner, and mount the LED strip directly onto flat or curved surfaces.



front, corner or panoramic options

Our clever 'one box solution' makes ordering your fire so simple. The SLE75, 100, 150 and 200 fires can be installed as either front facing, corner (left or right) or panoramic appliances. All options feature our visually stunning **itronic** effect flame technology.



SLE100





SLE100 | Front view installation | Solar preset flame effect

1-2

kW output



dimensions

on page 52



scene lighting

available



app control

compatible



infrared remote

supplied as standard



iTronic
technology

SLE150





SLE150 | Front view installation | Blaze preset flame effect

1-2

kW output



dimensions

on page 52



scene lighting

available



app control

compatible



infrared remote

supplied as standard



iTronic
technology

SLE200





SLE200 | Panoramic installation | Blaze preset flame effect

1-2

kW output



dimensions

on page 52



scene lighting

available



app control

compatible



infrared remote

supplied as standard



iTronic
technology

SLE75





SLE75 | Front view installation | Blaze preset flame effect

1-2

kW output



dimensions

on page 52



scene lighting

available



app control

compatible



infrared remote

supplied as standard



iTronic
technology

SLE125t



AVAILABLE WINTER 2020



1-2

kW
output



dimensions
on page 53



etronic 3D
flame technology



double sided
electric fire



infrared remote
supplied as standard

SLE42s





900-
1800w

output



dimensions

on page 53



eTronic 3D
flame technology



infrared remote

supplied as standard

SLE40i



mizar fireframes



mizar **bronze**



mizar **black**



mizar **brushed copper**



mizar **polished**



mizar **antique brass**



mizar **dark lustre**

1-2

kW output



dimensions

on page 53



etronic 3D
flame technology



infrared remote

supplied as standard

75mm



only 75mm

inset depth



freestanding

spacer available



elara fireframes



elara **polished**



elara **black**



elara **antique brass**

1-2

kW output



dimensions

on page 53



eTronic 3D
flame technology



infrared remote

supplied as standard

75mm



only 75mm

inset depth



freestanding

spacer available



contemporary fascias & classic fireframes



contemporary fascia **brass**



contemporary fascia **brushed**



contemporary fascia **black**



classic provident fireframe **highlight**



classic provident fireframe **black**



classic halo fireframe **black**

1-2

kW output



dimensions

on page 53



eTronic 3D
flame technology



infrared remote

supplied as standard

75mm



only 75mm

inset depth



freestanding

spacer available

trims & frets



trim & bauhaus fret **chrome**



trim & bauhaus fret **black**



trim & bauhaus fret **brass**



trim & bauhaus fret **polished**



trim & baltimore fret **polished**



trim & baltimore fret **black**



trim & blenheim fret **brass**



1-2

kW output



dimensions

on page 53



eTronic 3D
flame technology



infrared remote

supplied as standard



only 75mm

inset depth



freestanding

spacer available



solution electric suites

Solution fires can also offer an impressive range of luxury wall mounted and floor standing suites. Designed to complement the SLE 100 & SLE 75 electric fires, these modular suites are highly versatile fitting simply to a flat wall, enabling you to create your perfect setting by mixing and matching different design elements and finishes.

Supplied in standard sizes, these suites can also be **made to measure**.



suite finishes

The solution suite range offers you the ultimate in flexibility. Simply select from one of our standard finishes or for **added exclusivity** choose from our premium selection.

standard



STANDARD MISTY GREY



STANDARD GRAPHITE GREY

premium



— **PREMIUM** BLACK MARBLE EFFECT —



— **PREMIUM** PAINTED BLACK OR GRAPHITE
GREY TOP ONLY —



— **PREMIUM** VINTAGE CONCRETE EFFECT —



— **PREMIUM** GLOSS LIMESTONE EFFECT —



— **PREMIUM** GLOSS COPPER EFFECT —



— **PREMIUM** GLOSS WOOD GRAIN —



completely tailored service



MADE TO MEASURE

All of our suites can be tailor made to your size requirements and made to fit all solution fire models.



COLOUR MATCHING

We are able to offer a full colour paint matching service. Simply send us a sample and we will match it.



DIY DECORATION

Suites can be supplied "simply" primer ready if you wish to paint or wallpaper the suite yourself.



TV CUT OUT

Need a TV cut out in your chimney breast? No problem, just advise us of the size and the position required.

brandon





Brandon wall mounted suite Vintage concrete | SLE100 fire



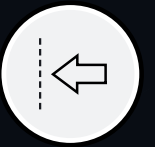
custom made
to your requirements



dimensions
on page 51



finishes
on page 35



simple
flat wall fit

brandon with base





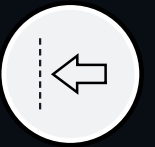
custom made
to your requirements



dimensions
on page 51



finishes
on page 35



simple
flat wall fit

Brandon suite with base Vintage concrete | SLE100 fire

havana



curved

havana with base



custom made
to your requirements



dimensions
on page 51



finishes
on page 35



simple
flat wall fit



Havana curved suite with base Misty grey | Graphite grey hearth | Optional graphite grey wings | SLE100 fire

brandon with chimney breast



brandon with chimney breast & base



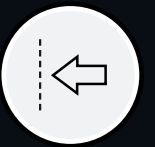
custom made
to your requirements



dimensions
on page 50



finishes
on page 35



simple
flat wall fit



Brandon suite with chimney breast and base Misty grey | Gloss wood grain premium hearth | Optional TV cut out | SLE100 fire

arcadia



arcadia with base



Arcadia suite with base Misty grey | Black painted top premium hearth | SLE75 fire



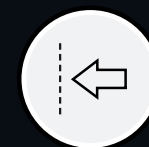
custom made
to your requirements



dimensions
on page 50



finishes
on page 35



simple
flat wall fit

guide to choosing your suite

CHIMNEY BREAST

If you have chosen a suite with a chimney breast you need to;

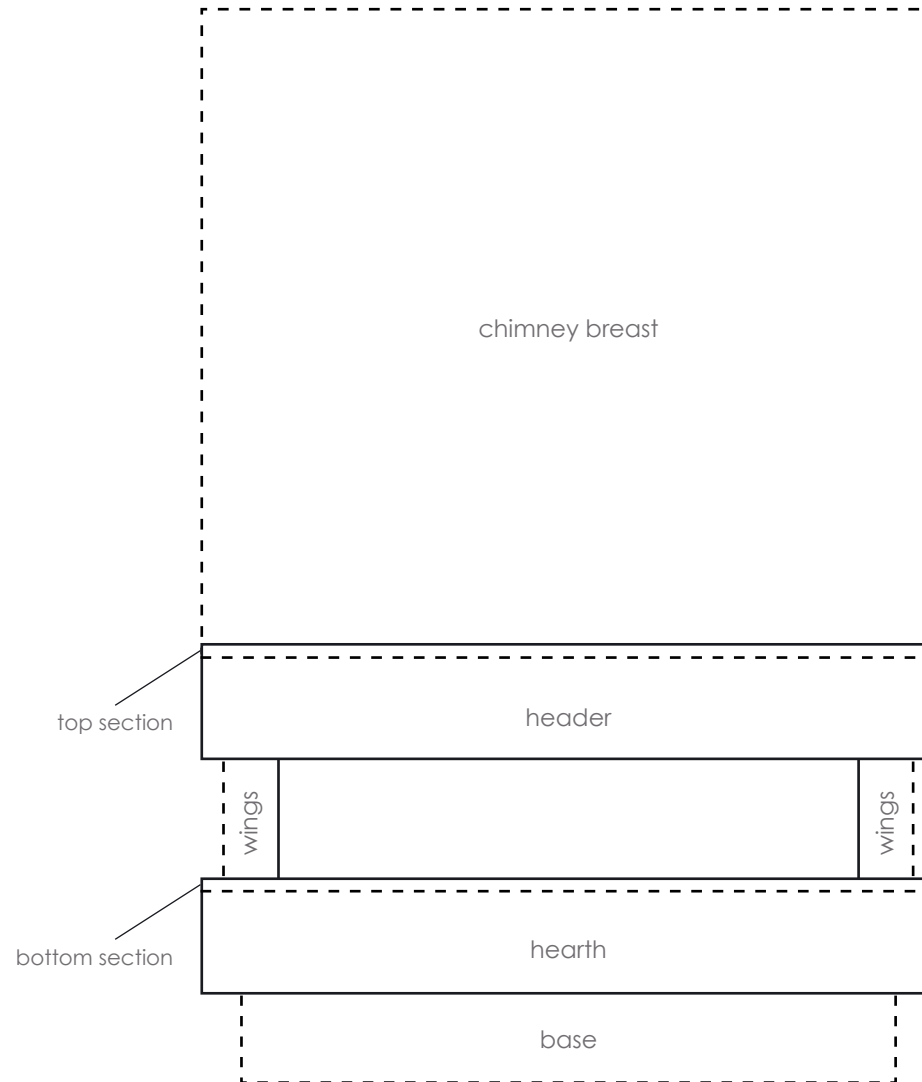
1. Select a colour from the following options;
 - a) Standard colours - Misty Grey or Graphite Grey.
 - b) Colour match - send us a sample and we will match it.
 - c) DIY - supplied primer ready for you to decorate yourself.
2. TV cut out? If so, please tell us the size required.

HEADER/HEARTH/TOP & BOTTOM SECTIONS

3. Select a colour from the following options;
 - a) Standard colours - Misty Grey or Graphite Grey.
 - b) Colour match - send us a sample and we will match it.
 - c) DIY - supplied primer ready for you to decorate yourself.
 - d) Premium finish - Upgrade to one of our exclusive finishes from the guide on the right.

WINGS/BASE

4. Select a colour from the following options;
 - a) Standard colours - Misty Grey or Graphite Grey.
 - b) Colour match - send us a sample and we will match it.
 - c) DIY - supplied primer ready for you to decorate yourself.
 - d) Premium finish - Upgrade to one of our exclusive finishes from the guide on the right.

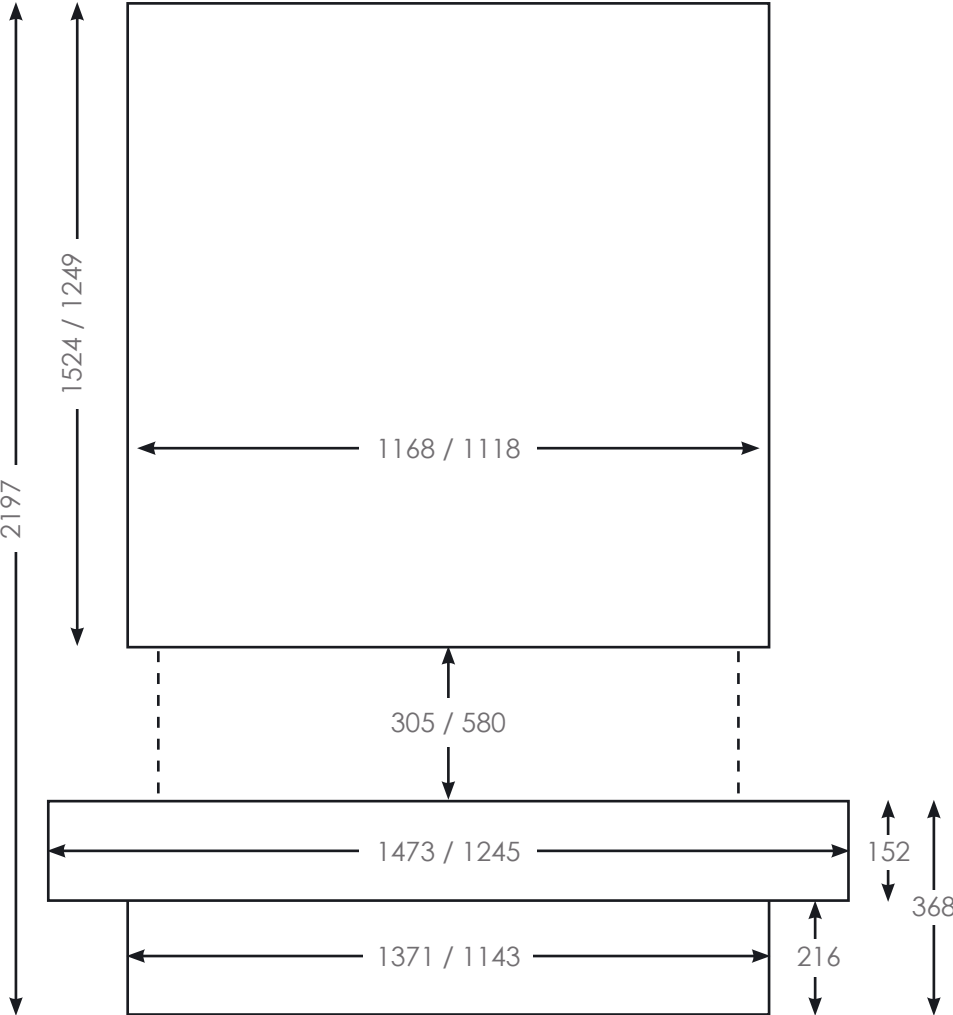


premium finish guide

MODEL	PREMIUM FINISH						CHIMNEY BREAST	MADE TO MEASURE
	GLOSS WOOD GRAIN	GLOSS LIMESTONE	BLACK MARBLE	GLOSS COPPER	BLACK OR GRAPHITE GREY TOP ONLY	VINTAGE CONCRETE		
ARCADIA	✓	✓	✓	✓	✓	✓	✓	✓
ARCADIA WITH BASE	✓	✓	✓	✓	✓	✓	✓	✓
BRANDON	✓	✓	✓	✓	✓	✓	✓	✓
BRANDON WITH BASE	✓	✓	✓	✓	✓	✓	✓	✓
HAVANA					✓	✓		✓
HAVANA WITH BASE					✓	✓		✓

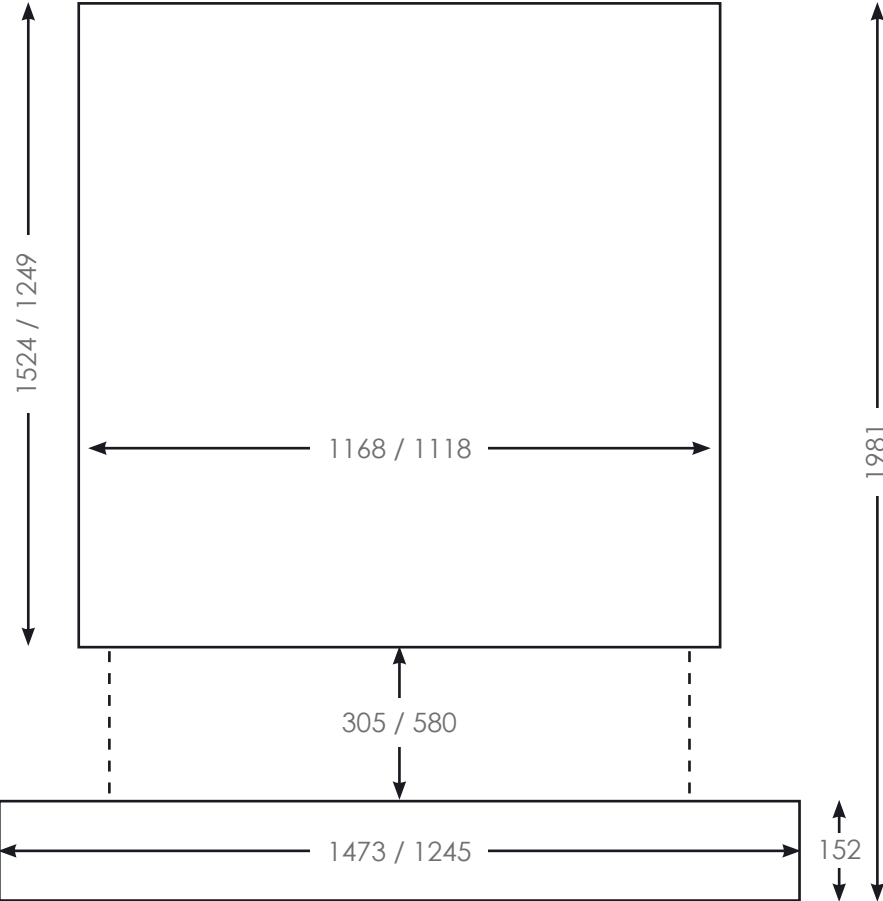
suite dimensions

BRANDON/ARCADIA WITH CHIMNEY BREAST & BASE



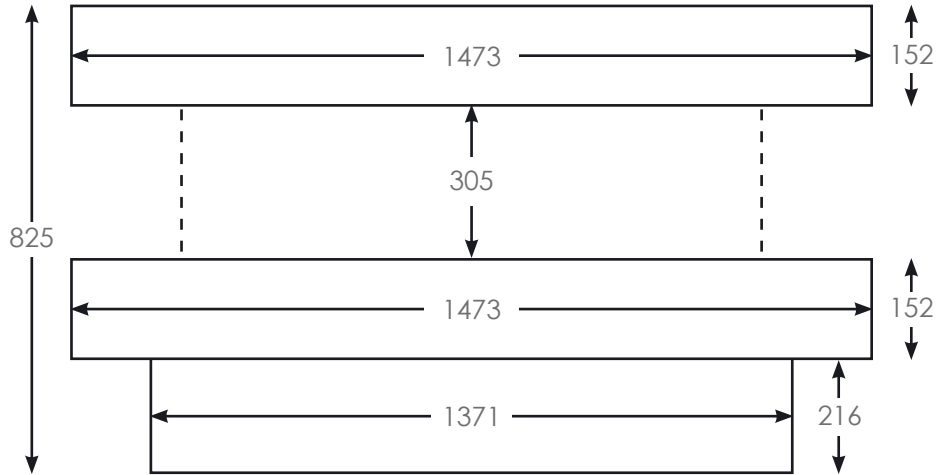
DEPTH: 355mm chimney breast & base / 410mm hearth

BRANDON/ARCADIA WITH CHIMNEY BREAST



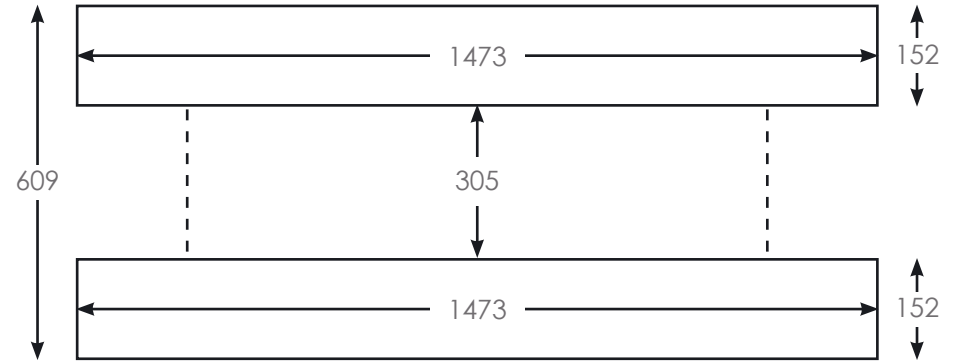
DEPTH: 355mm chimney breast / 410mm hearth

BRANDON WITH BASE



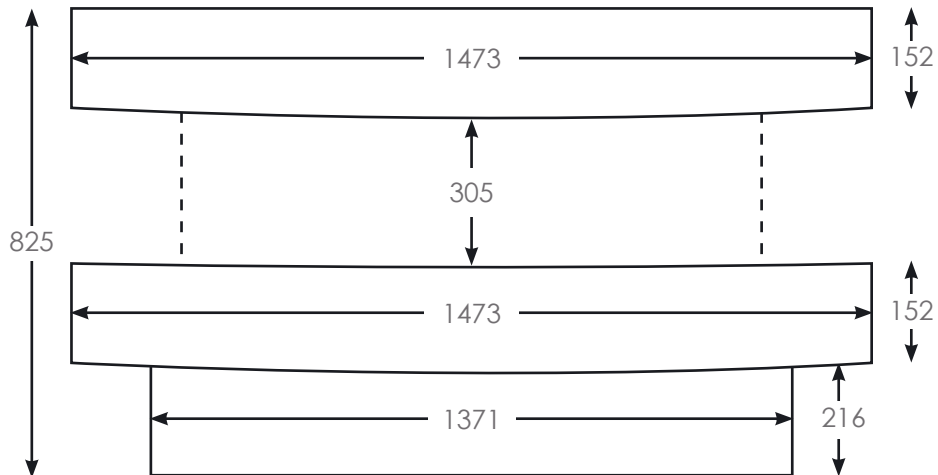
DEPTH: 410mm header & hearth / 355mm base

BRANDON WALL MOUNTED



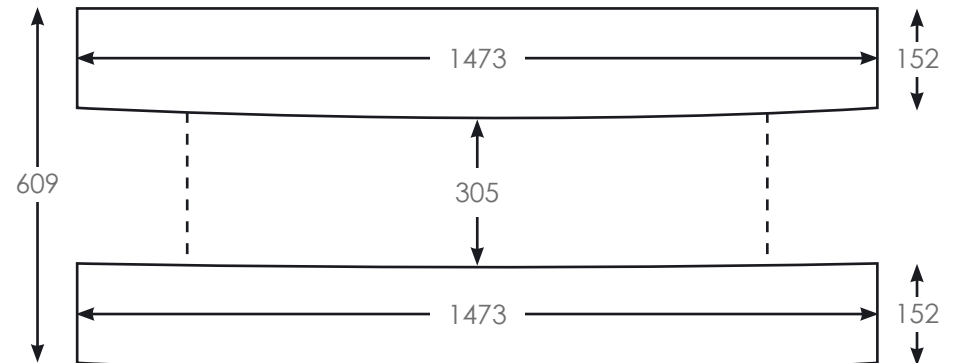
DEPTH: 410mm header & hearth

HAVANA WITH BASE



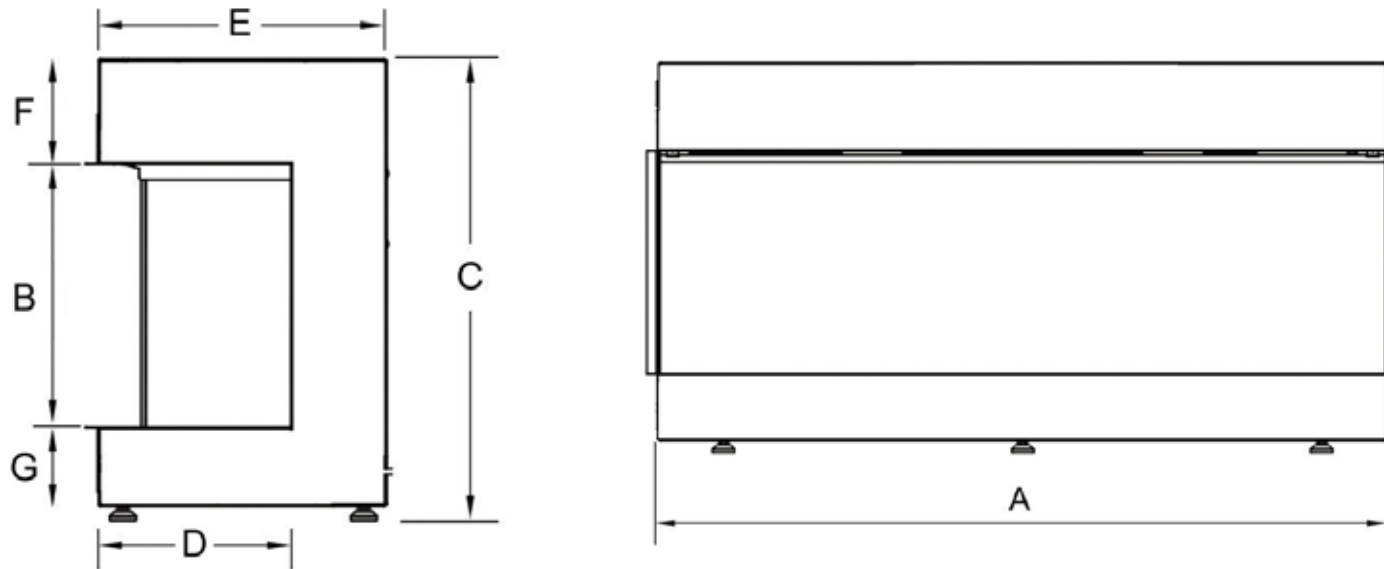
DEPTH: 410-426mm header & hearth / 355mm base

HAVANA WALL MOUNTED



DEPTH: 410-426mm header & hearth

dimensions fires

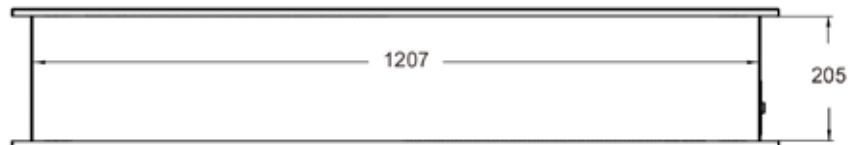
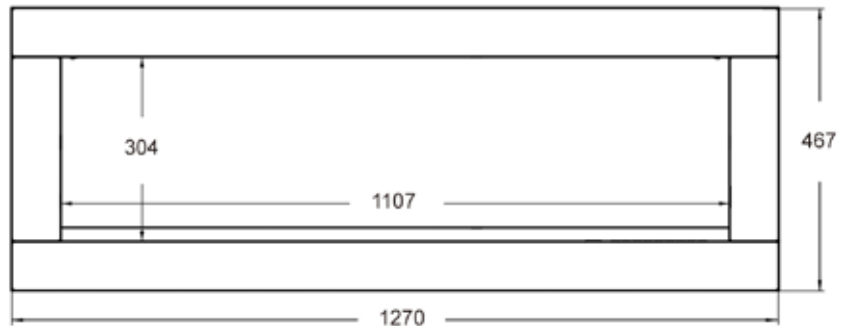
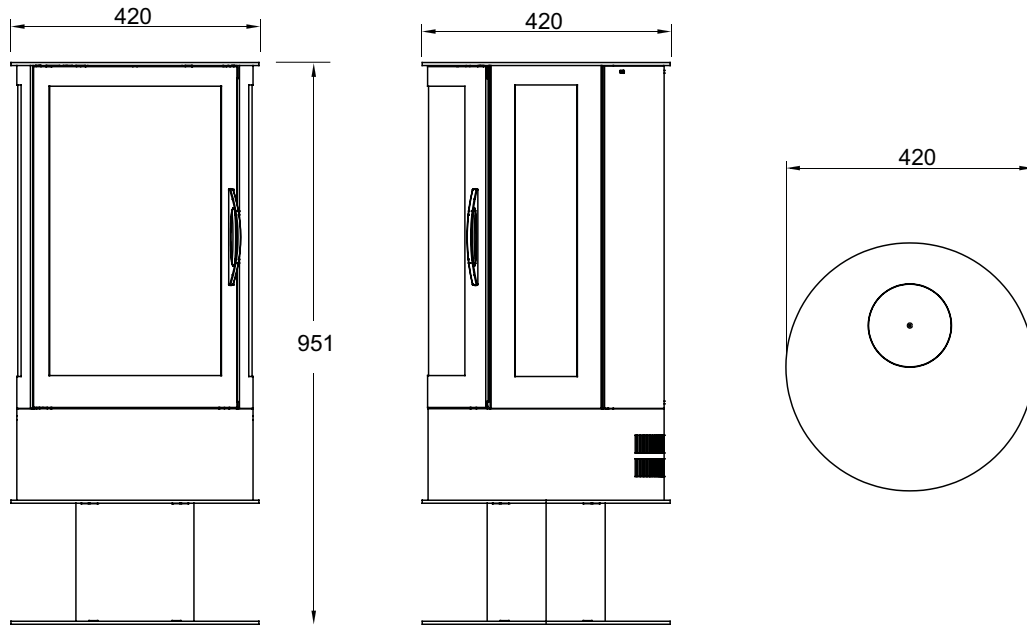


Dimensions							
	A	B	C*	D	E	F	G*
SLE75	750	580	808	226	334	118	110
SLE100	1000	305	533	226	334	118	110
SLE150	1500	305	533	226	334	118	110
SLE200	2000	305	533	226	334	118	110

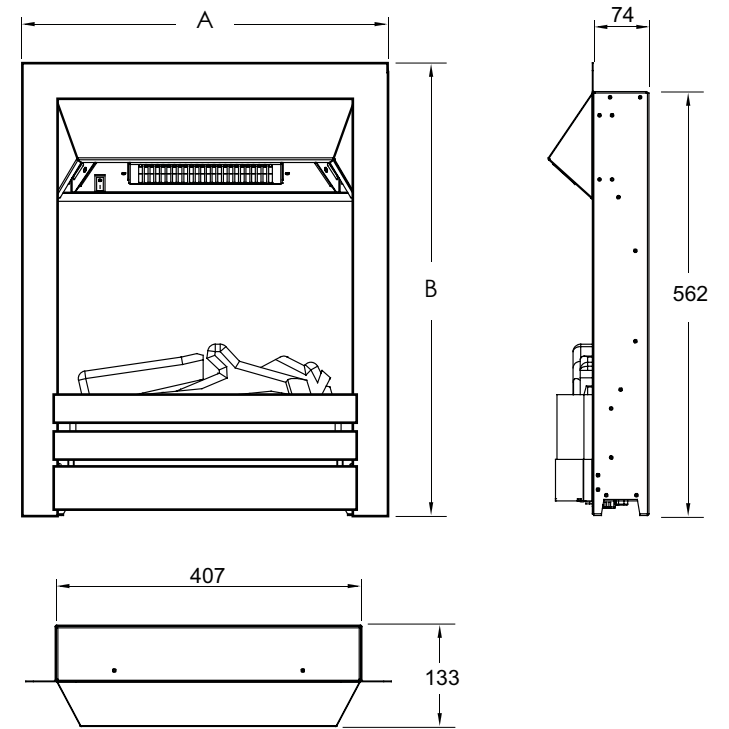
- Scene Lighting Kit**
- 2 x 1000mm lighting strips
 - 2 x 500mm lighting strips
 - 4 x 250mm lighting strips
 - 4 x 1200mm extension cables
 - 2 x 300mm splitter cables

*These fires stand on adjustable leveling feet so this is a minimum dimension

SLE42s



SLE40i



SLE125t

SLE125t opening size (mm)
1245 (W) x 456 (H) x 205 (D)

SLE40i with Fireframe/Trim

	A (Width)	B (Height)
Mizar & Elara	520	615
Contemporary	495	608
Classic Provident	590	740
Classic Halo	602	662
Trim & Fret	510	610

the solution warranty

All solution fires come with a standard 1 year parts warranty extendable to 2 years on registration. Any fire purchased outside of our authorised dealer network will carry a 1 year non-extendable warranty.

To activate your extended warranty, please register your fire online at www.solutionfires.co.uk/warranty within one month of the purchase date. Any fires registered after this period will carry a 1 year non-extendable warranty. Please visit our website for full terms and conditions and to upgrade to our 5 year Platinum warranty.

where to buy

The solution fires range is distributed via our authorised dealer network. These independent retailers are able to give you advice on all aspects of your fireplace requirements from quotations to technical and installation services.

For details of your nearest solution fires retailer, please visit our website at www.solutionfires.co.uk





info@solutionfires.co.uk | www.solutionfires.co.uk

Solution Fires is a division of **Capital Fireplaces Ltd**